

AIRCRAFT PARKING/
DOCKING CHART-

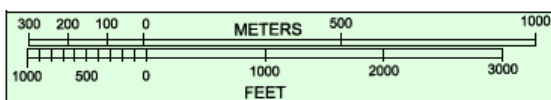
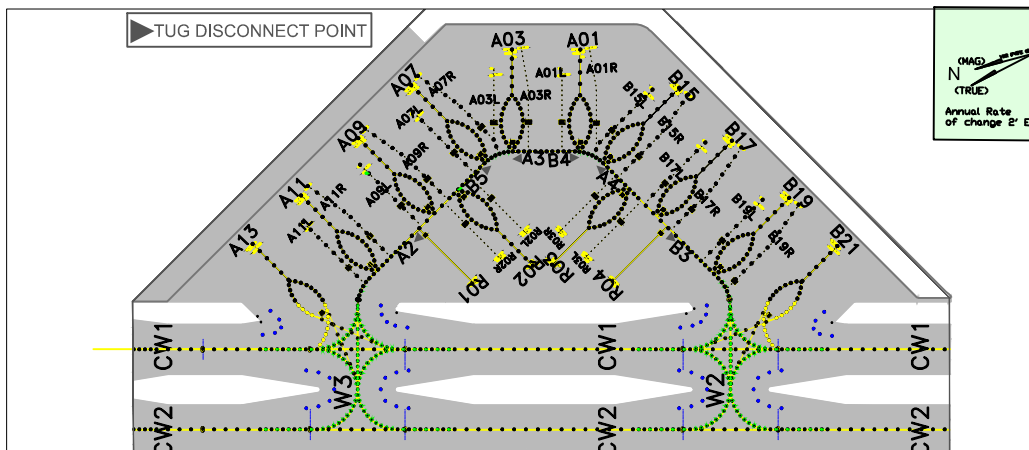
TWR MIDDLE 118.10
TWR SOUTH 125.85

SMC MIDDLE 121.90
SMC SOUTH 121.625

CLD 121.95
DCL DELCFYA

INDIA/DELHI
IGI AIRPORT

APRON 32



Aircraft Stands

R01 to R04 are remote stands.
Rest all are Contact Stands.
All stands are Power-in push back
Bearings are magnetic
DATUM - WGS 84

Legend	
Parking stand	A06
IHP	—
Tug disconnect point	▶

Pre-flight altimeter check location
Apron Elevation : 723 Feet

DATUM - WGS 84
ELEVATIONS IN FEET
DIMENSIONS IN METRES
BEARINGS ARE MAGNETIC

PARKING STAND	WGS 84 COORDINATE		TYPE OF AIRCRAFT
A01	28°33'25.49" N	077°04'58.03" E	CODE E
A01L	28°33'26.38" N	077°04'57.43" E	CODE C
A01R	28°33'25.13" N	077°04'58.01" E	CODE C
A03	28°33'28.08" N	077°04'58.80" E	CODE E
A03L	28°33'28.97" N	077°04'58.19" E	CODE C
A03R	28°33'27.73" N	077°04'58.78" E	CODE C
A07	28°33'32.28" N	077°04'58.37" E	CODE F
A07L	28°33'32.48" N	077°04'57.20" E	CODE D (B753 MAX)
A07R	28°33'31.93" N	077°04'58.72" E	CODE C
A09	28°33'34.82" N	077°04'56.71" E	CODE F
A09L	28°33'35.01" N	077°04'55.54" E	CODE D (B753 MAX)
A09R	28°33'34.47" N	077°04'57.04" E	CODE C
A11	28°33'37.57" N	077°04'54.89" E	CODE F
A11L	28°33'37.76" N	077°04'53.72" E	CODE D (B753 MAX)
A11R	28°33'37.22" N	077°04'55.21" E	CODE C
A13	28°33'39.90" N	077°04'53.34" E	CODE E

PARKING STAND	WGS 84 COORDINATE		TYPE OF AIRCRAFT
B15	28°33'22.10" N	077°04'55.27" E	CODE F
B15L	28°33'23.13" N	077°04'55.49" E	CODE D (B753 MAX)
B15R	28°33'21.81" N	077°04'54.87" E	CODE C
B17	28°33'20.61" N	077°04'52.39" E	CODE F
B17L	28°33'21.64" N	077°04'52.61" E	CODE D (B753 MAX)
B17R	28°33'20.30" N	077°04'52.01" E	CODE C
B19	28°33'19.00" N	077°04'49.28" E	CODE F
B19L	28°33'20.03" N	077°04'49.50" E	CODE D (B753 MAX)
B19R	28°33'18.71" N	077°04'48.88" E	CODE C
B21	28°33'17.65" N	077°04'46.66" E	CODE E
R01	28°33'31.86" N	077°04'49.12" E	CODE C
R02	28°33'29.42" N	077°04'49.20" E	CODE F
R02L	28°33'29.37" N	077°04'50.72" E	CODE C
R02R	28°33'30.61" N	077°04'49.90" E	CODE C
R03	28°33'28.71" N	077°04'49.08" E	CODE F
R03L	28°33'27.36" N	077°04'49.03" E	CODE C
R03R	28°33'28.08" N	077°04'50.43" E	CODE C
R04	28°33'26.64" N	077°04'47.64" E	CODE C

Note:

- (1) Aircraft stand manoeuvring guidance lights (ASMG) not available at A01L, A01R, A03L, A03R, R01, R02L, R02R, R03L, R03R, R04.
- (2) Advance visual docking guidance system (AVDGS) not available at A01R, A01L, A03R, A03L, R01, R02R, R02L, R03R, R03L, R04.
- (3) IHP- Intermediate Holding Position

Date of Aeronautical Publication
December 2018

Producing Organization
Delhi International Airport Limited
DIAL-AIRSIDE-PLANNING@gmrgroup.in