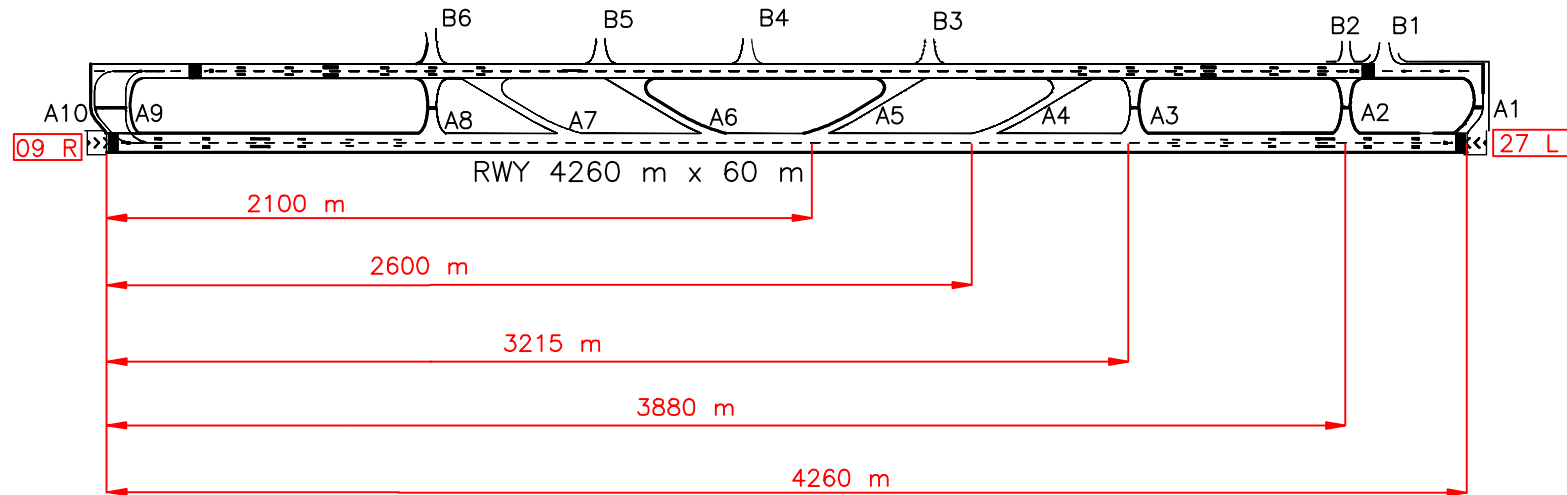


ARRIVAL RUNWAY 09R

LOCATION OF DIFFERENT EXIT TAXIWAYS FROM THRESHOLD

RUNWAY 09R					
EXIT TAXIWAY	A5 (RET)	A4 (RET)	A3	A2	A1
DISTANCE FROM THRESHOLD (M)	2100	2600	3215	3880	4260
ANGLE OF EXIT TWY WITH THE RWY IN USE	30°	31°	90°	90°	90°
LENGTH OF TWY (M)	500	500	225	225	427

RET—RAPID EXIT TAXIWAY



NOT TO SCALE