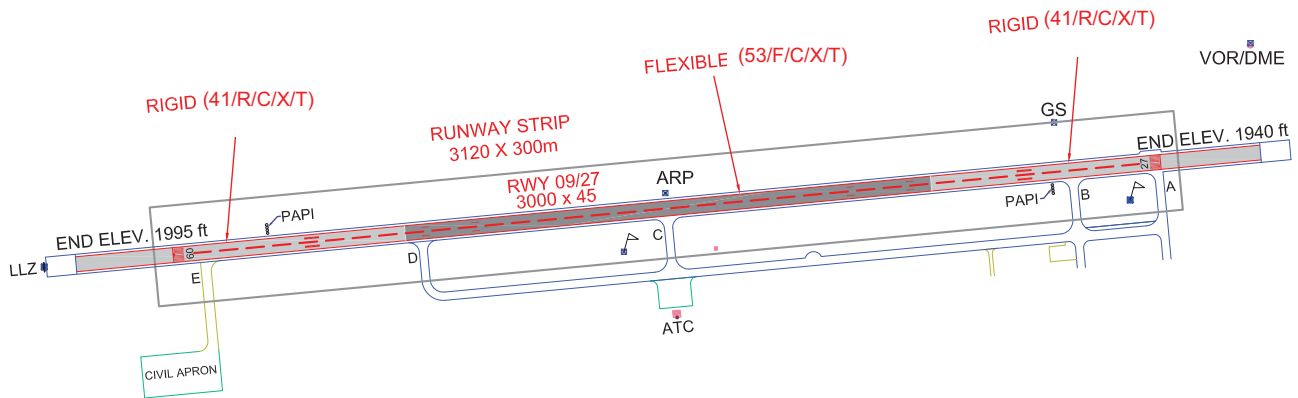
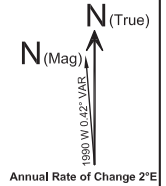


AERODROME CHART 20°07'12"N
073°54'48"E **ELEV. 1995 ft**

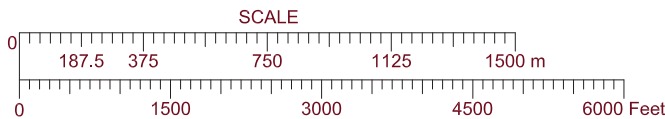
INDIA / OZAR

RWY	DIRECTION	THR. COORDINATES	THR. ELEV.	BEARING STRENGTH
09	084.08°	20°07'05.64"N 073°53'56.64"E	1995 ft	41/R/C/X/T (Rigid)
27	264.08°	20°07'15.72"N 073°55'39.78"E	1940 ft	53/F/C/X/T (Flexible)

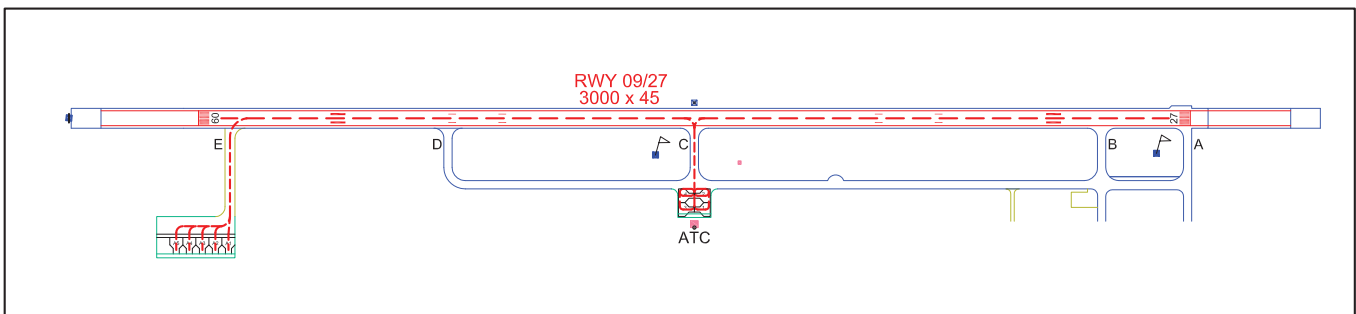
DATUM: WGS 84
ELEVATIONS IN FEET AND DIMENSIONS IN METERS
BEARINGS ARE MAGNETIC



TWY	LENGTH (m)	WIDTH (m)	BEARING STRENGTH
C	160	30	30/R/C/X/T
E	400	30	79/R/C/X/T



MARKING AIDS RWY 09/27



NOTE: a) AERONAUTICAL GROUND LIGHTS ARE NOT SHOWN ON THIS CHART.
b) ONLY TAXIWAY 'C' & 'E' AVAILABLE FOR CIVIL AIRCRAFT OPERATIONS.