

AERODROME OBSTACLE CHART

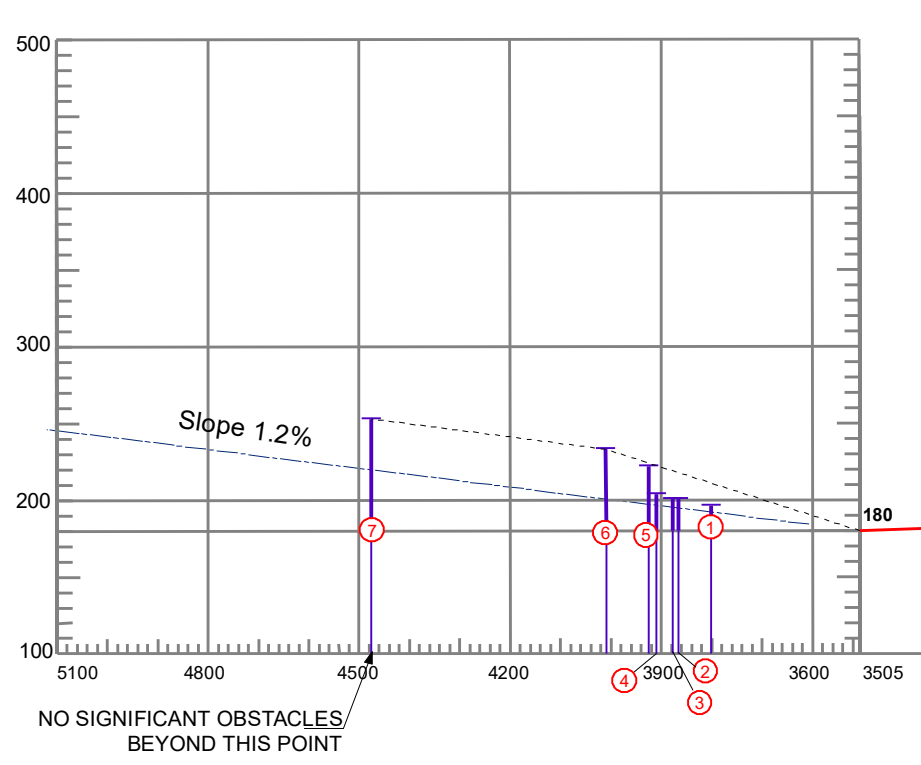
INDIA / AHMEDABAD

ELEVATIONS IN FEET
ALL OTHER DIMENSIONS IN METRES

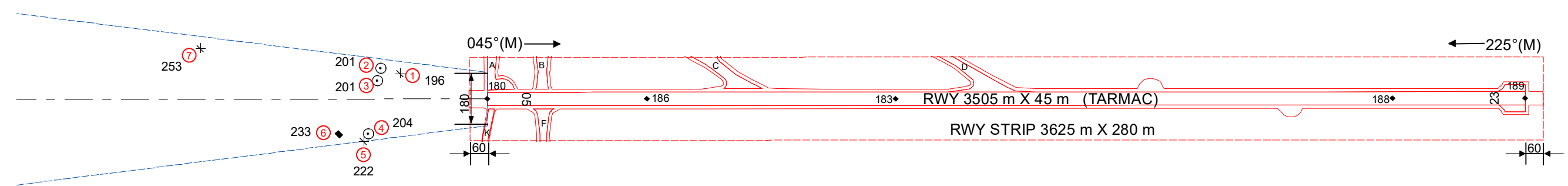
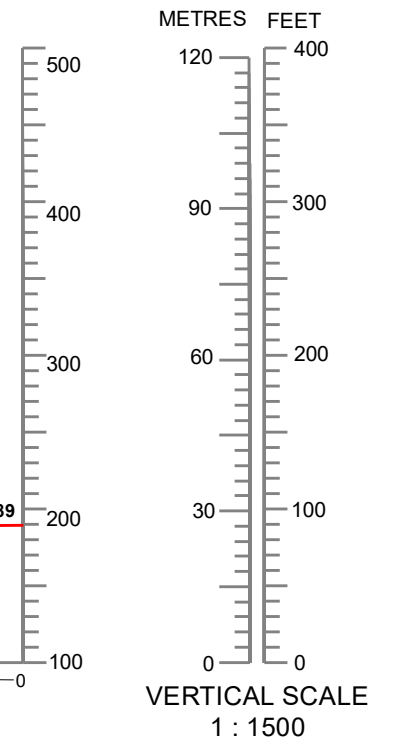
TYPE - A (OPERATING LIMITATIONS)

SARDAR VALLABHBHAI PATEL INTL. AIRPORT / RWY 23

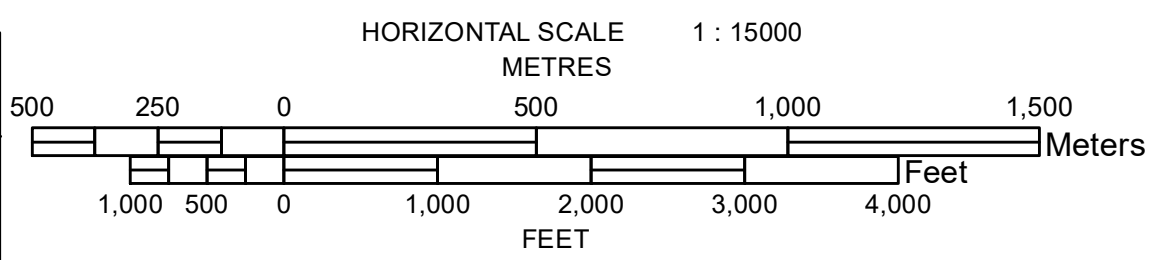
MAGNETIC VARIATION 0° 15' W (2010)



RWY 05/23		
DECLARED DISTANCES		
RWY 05		RWY 23
3505	TAKE-OFF RUN AVAILABLE	3505
3505	TAKE-OFF DISTANCE AVAILABLE	3505
3505	ACCELERATE STOP DISTANCE AVAILABLE	3505
3505	LANDING DISTANCE AVAILABLE	3505



LEGEND		
	PLAN	PROFILE
IDENTIFICATION NUMBER	①	
BUILDING / LARGE STRUCTURE	■	
POLE, TOWER, SPIRE, ANTENNA ETC	⊙	
TREE OR SHRUB	✱	
RWY ELEV. (SPOT)	■180	



ORDER OF ACCURACY
HORIZONTAL : 3.0 m
VERTICAL : 1.0 ft

NOTES:
 1. The objects that have been shielded due to presence of other higher objects have not been shown in this chart.
 2. Datum - All Elevations are EGM08.
 3. Periphery Road without traffic is no obstacle.
 4. Consult NOTAM for latest information.
 5. Considering App.Lights and LLZ Antenna as frangible are not taken in this chart
 6. RWY direction rounded to nearest degree.(Magnetic) (In degree minute : RWY 05/23 = 044°31'/224°31') (taken upto 2022)
 7. All obstacles shown in this chart are based on Aeronautical Obstacle Survey of September, 2021.
 8. Chart prepared based on CAR Section 9 AS & ATM Series 'G' Part-I.

SLNO	UUID	OBJECT
1	VAAH 9057	Group of Trees
2	VAAH 5109	Gagan Inres Room, Antenna Top
3	VAAH 9014	Localizer Room, Lightning Arrester
4	VAAH 9104	Light Pole
5	VAAH 6002	Group Trees
6	VAAH 5249	Building, Pole Top
7	VAAH 6175	Group of Trees

AMENDMENT RECORD		
NO.	DATE	ENTERED BY

AERONAUTICAL INFORMATION UPTO - SEPTEMBER 2021